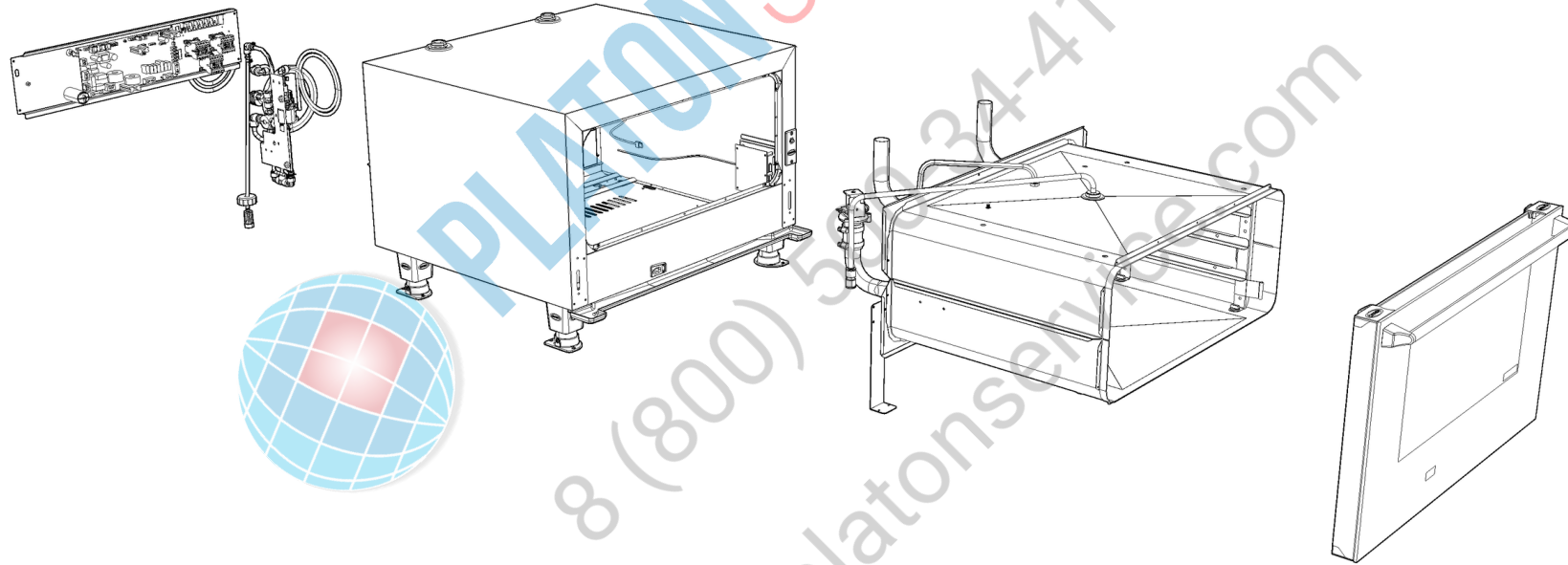
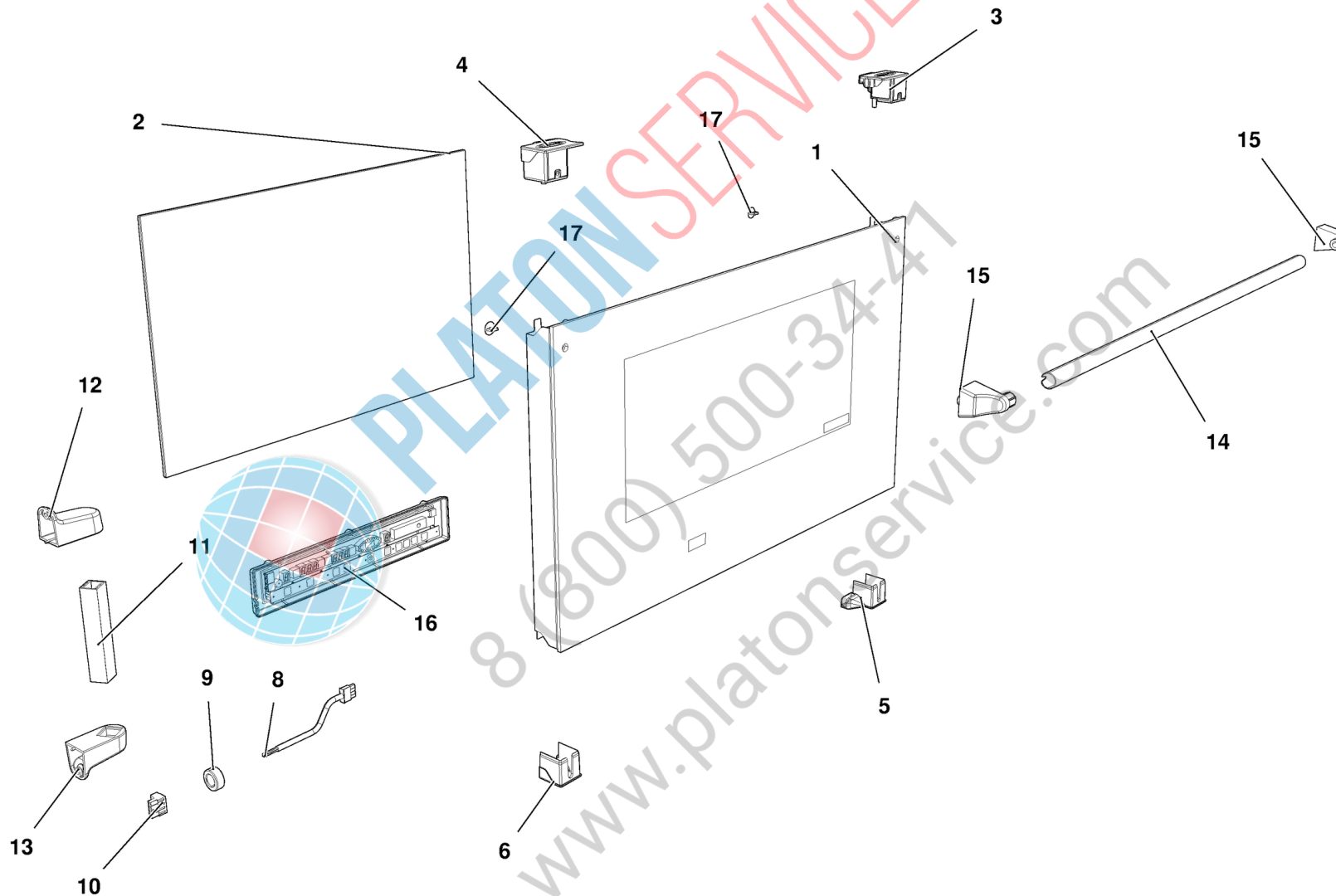


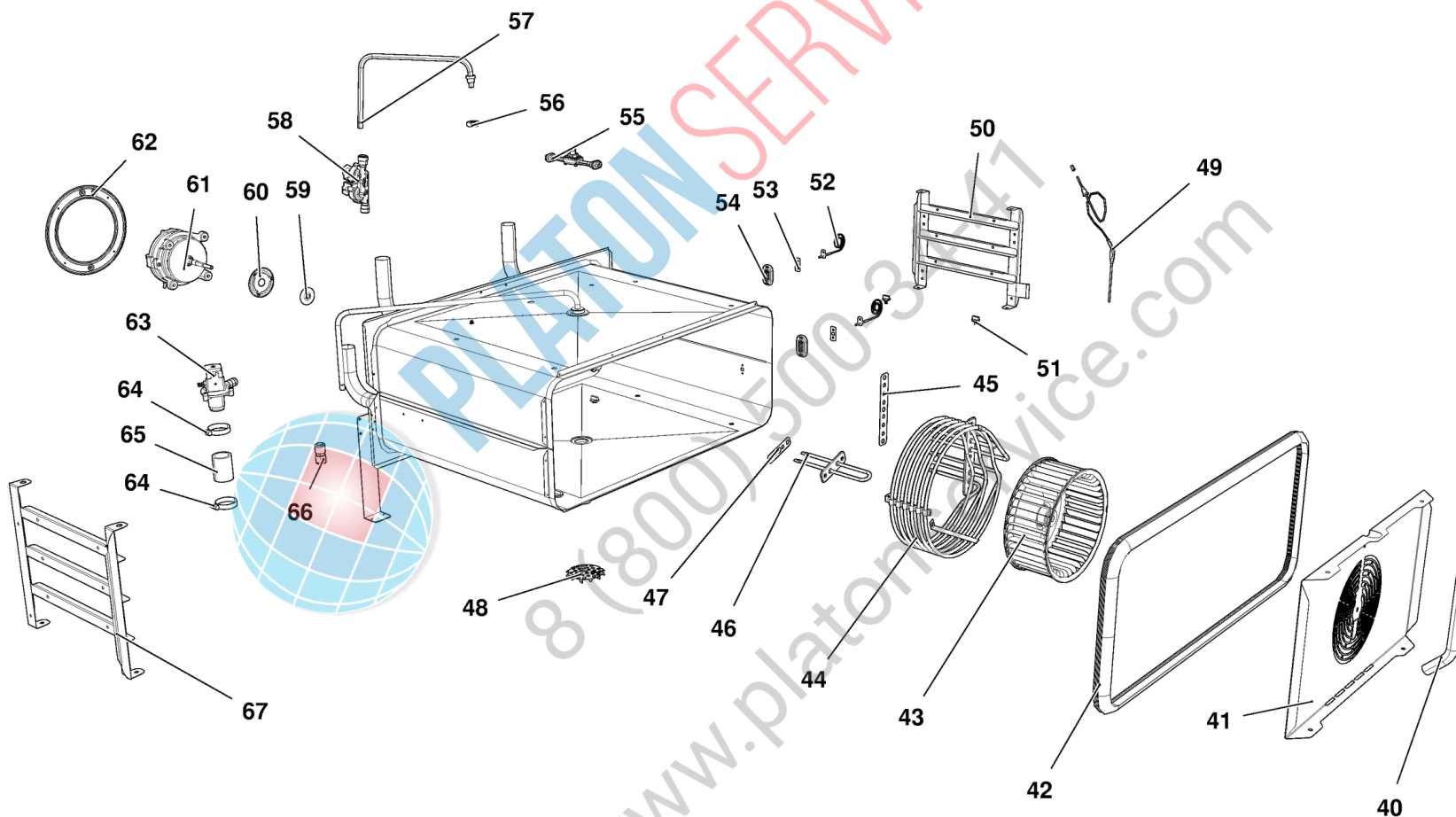
MOD:XVC105E



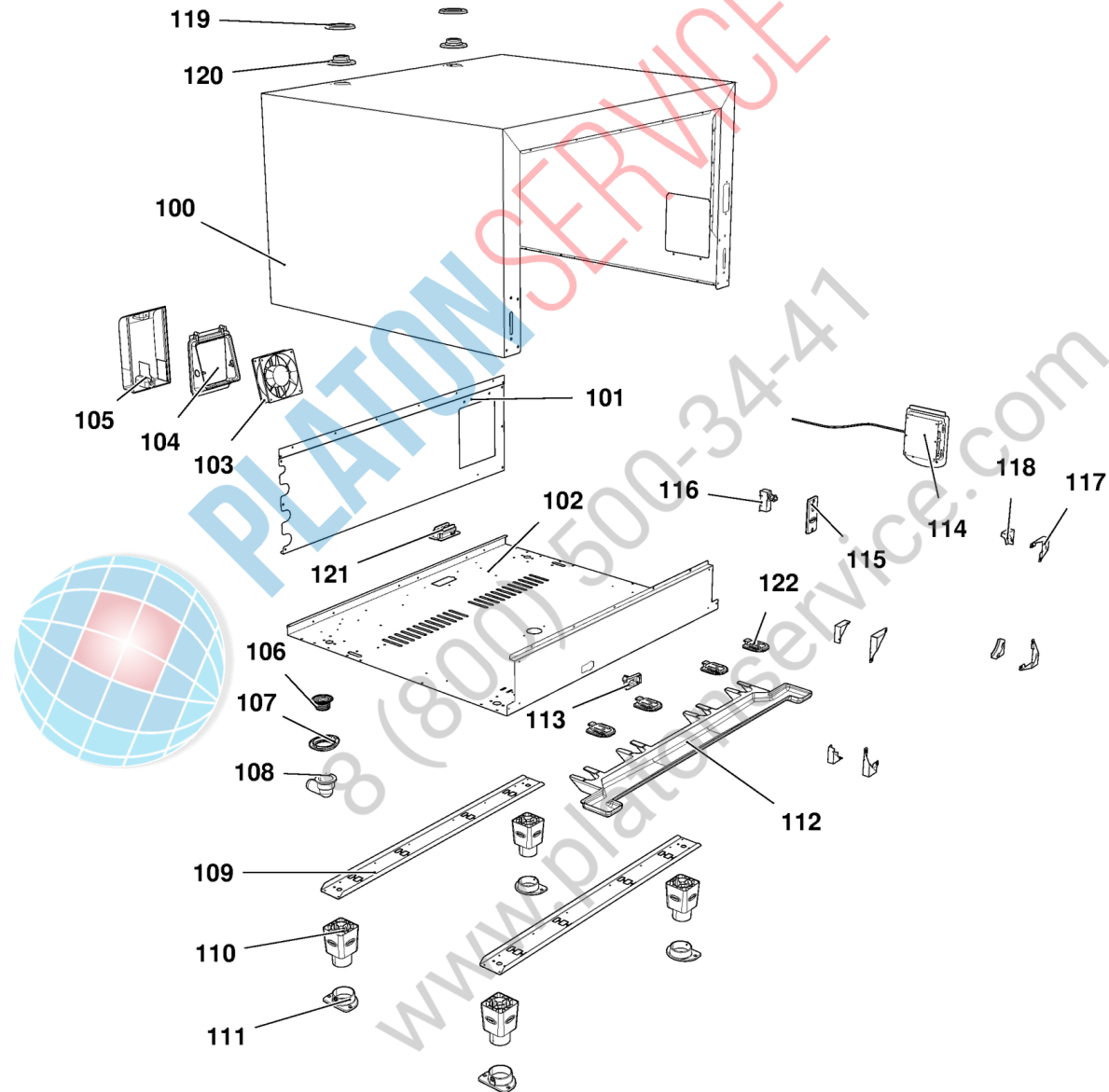
MOD:XVC105E



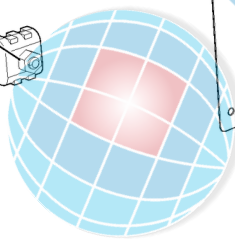
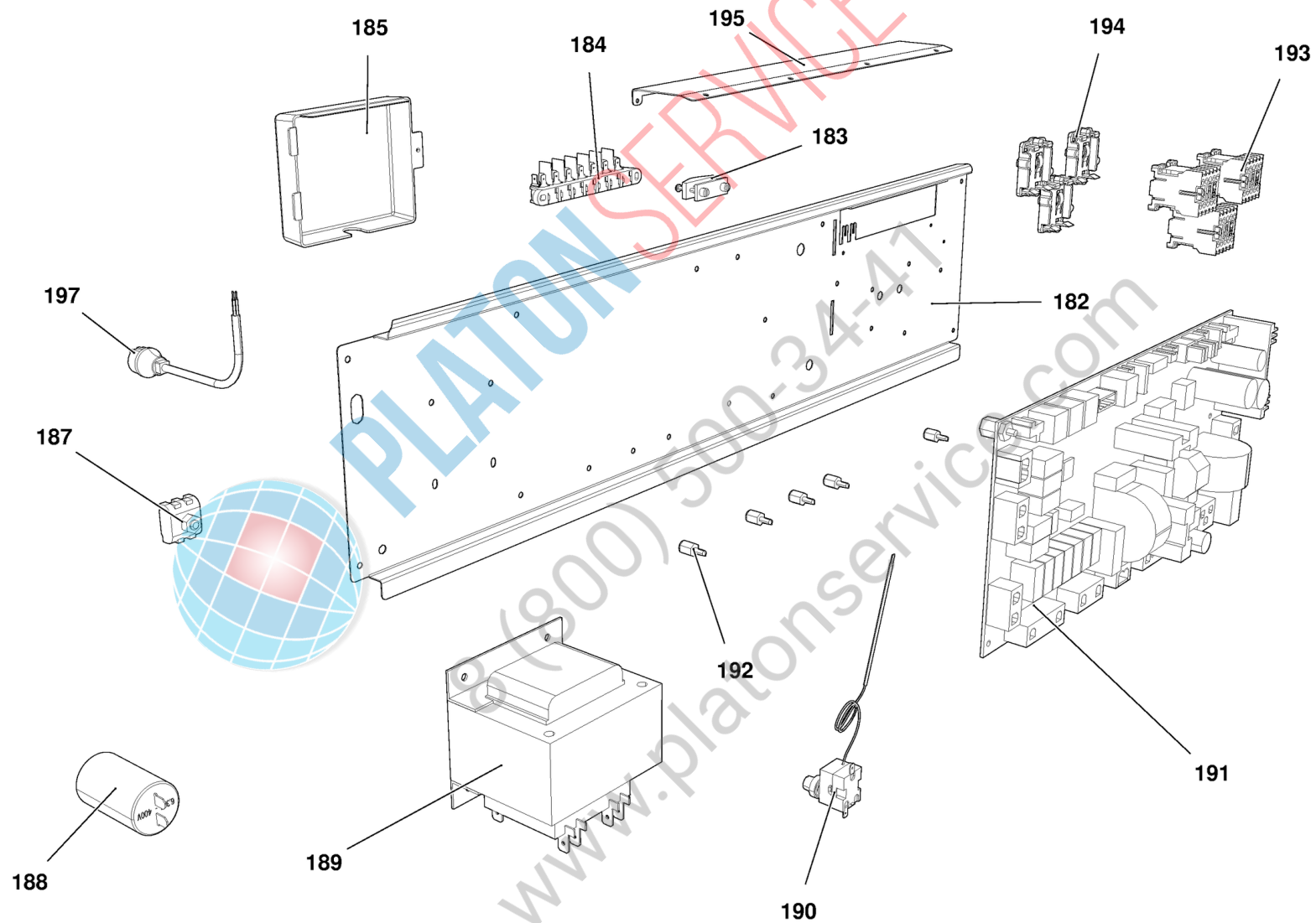
MOD:XVC105E



MOD:XVC105E

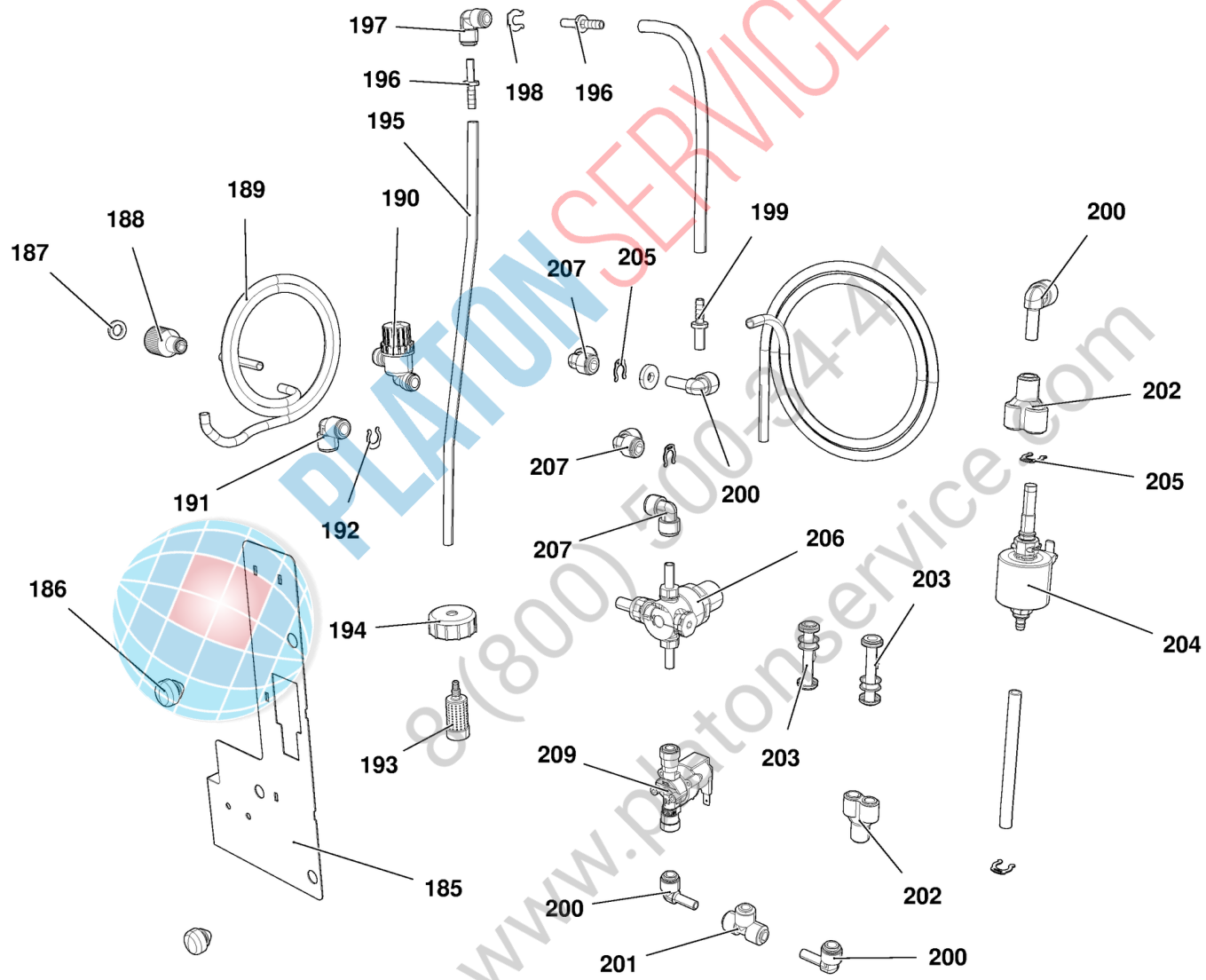


MOD:XVC105E



PLATON SERVICE
(800) 500-34-41
www.platonservice.com

MOD:XVC105E



MOD:XVC105E



IT

Descrizione codici

1	VT1121B	VETRO ESTERNO SER. 748X424X5 CTFI. XVC105
2	VT1120B	VETRO INTERNO 665X415X6 BETFL. XVC104
3	VM1916A	TAPPO COLONNINA SUP DX
4	VM1917A	TAPPO COLONNINA SUP SX
5	VM1918A	TAPPO COLONNINA INF DX
6	VM1919A	TAPPO COLONNINA INF SX
8	CE1280A	CAVO COLLEGAMENTO POTENZA CONTROLLO L1.5
9	CE1285A	FERRITE EMI ROUND MOD. 2643801502
10	CE1290A	MORSETTO FEMMINA ESTRAIBILE CPF 5/4
11	LP1000A	BARRA ILLUMINAZIONE LED L100
12	VM1620A	SUPPORTO INF BARRA LED
13	VM1621A	SUPPORTO SUP BARRA LED
14	0H2620B	TUBO MANIGLIA L= 668 Ø18x1
15	MG1015B	TERMINALE MANIGLIA L.MISS/L.MICRO/CHEFTO
16	PE1740A	SCHEDA CONTROLLO PE1705 CT BT
17	VM1025A	TAPPO NYLON PA66 V2 GRIGIO Ø16
40	TB2354A	TUBO UMIDITA' CENT. XVC055E/105E Ø16x1
41	OG1507A	CARTER ARIA XVC105E
42	GN1036A	GN1110A-GUARNIZIONE PORTA XVC105
43	VN1030A	VENTOLA D196 H81 39 PALE DADO M8
44	RS1225A	RES. CIRCOLARE 4700W 230V D230 6 SPIRE
45	GN1085A	GUARNIZIONE RESISTENZA 141x24 G6.25
46	RS1215A	RES. PIANA 147W 105V D230 1 SPIRA
47	GN1326A	GUARNIZIONE RESISTENZA 71x19 G6.25
48	0H2551A	TAPPO PER TUBO DI SCARICO LIQUIDI INOX C
49	TR1040A	SONDA AL CUORE STAMPATA L=1320
50	GRL1215A	SUPPORTO LATERALE DX INOX 3TG GN2/3
51	VM1820A	NOTTOLINO M6 CROMATO FISS. SUPPORTI
52	TR1105A	SONDA TEMPERATURA PT100 L1000
53	GN1285A	GUARNIZIONE Sonda DI TEMPERATURA NTC
54	VM1465A	COPERCHIO Sonda TEMPERATURA CHEFTOP

55	VM1955B	CORPO GIRANTE LAVAGGIO
56	RC1170A	DADO M14 H=8 CH=22 INOX
57	0H3015A	TUBO EST. UMIDITA' + RC1165A0
58	EL1361A	ELETTRIVALVOLA TRI-STADIO JG D8-D10
59	GN1140A	GUARNIZIONE PORTAMOTORE STAMP.
60	0H4305A	DISCO TENUTA ALBERO MOTORE INOX STP
61	VN1130A	MOTORE FORNO 330W 230V 50/60HZ
62	0H3586A	LAMIERA PROTEZIONE MOTORE ZINCATO
63	VE1135A	ATTUATORE VENTURI 220V 50/60 Hz SERIE 2
64	RC1378A	FASCETTA STRINGI TUBO ZINCATA
65	TB1956A	TB1520A-TUBO NERO EPDM L=50
66	EL1055A	RIDUZIONE INTERMEDIA D10-D8
67	GRL1216A	SUPPORTO LATERALE SX INOX 3TG GN2/3
100	0D2190A	MANTELLINO XVC105E
101	0F1455A	SCHIENA XVC105E
102	0E1321A	FONDO ESTERNO XVC105E
103	VN1163A	VENTOLA RAFFREDDAMENTO 230V
104	VM1555A	SUPPORTO VENTOLA RAFFREDDAMENTO CT BT
105	VM1556A	PROTEZIONE VENTOLA RAFFREDDAMENTO CT-BT
106	GN1400A	GUARNIZIONE SIFONE
107	VM2039A	ANELLO FISSAGGIO CURVA DI SCARICO
108	VL1026A	CURVA PER TUBO DI SCARICO
109	0H1019A	LAMIERA RINFORZO PIEDI H100 CT
110	PD1066B	PIEDE H100 PLASTICA BICOMPONENTE
111	PD1063A	STAFFA BLOCCAGGIO PIEDE CT BT
112	VM1991A	CASSETTO RACCOGLI GOCCE 750
113	VM1225A	PIASTRINA PASSACAVO CONTROLLO
114	PE1971B	ASM SCHEDA UNOX.LINK MODBUS RJ45+USB
115	VM1200A	PIASTRINA SUPPORTO MICROPORTA MECCANICO
116	VE1295A	MICROINTERRUTTORE PORTA MK 16A 230V UL
117	0H1450A	ANGOLO FACCIATA MUFFOLA INOX XB-XV-XG

118	VM1008A	ANGOLARE INT. SUPPORTO GUARNIZIONE
119	0H3790A	LAMIERA TENUTA CAMINO
120	GN1275A	GUARNIZIONE CAMINO SILICONE NERO XVC
121	VM2061A	PASSAPARETE CAVI ACCESSORI COMPLETO
122	VM2074A	CLIP CON VITE PER SUPPORTO CASSETTO
182	0H7043A	PROFILO PORTA COMPONENTI XVC105E
183	VE1075A	PRESSACAVO FV 268 RO+VITI FISSAGGIO
184	MR1004A	MORSETT. 7FTW GV VO VL CU 1+2+3/4+5+6
185	VM1310A	SCATOLA COPRI MORSETTIERA XB/XV/XVC/XG
187	VM1750A	MORSETTIERA A PETTINE
188	CN1003A	CONDENSATORE CORAZZATO 6,3 uF
189	VE1026A	TRASFORMATORE 230-21-12Vac 90VA
190	TR1136A	TERMOSTATO SIC. UNIP. 330°C
191	PE1725E	SCHEDA POTENZA FORNI CT-BT 55.E 21Vac
192	VM1745A	SUPPORTO PER SCHEDA
193	VE1115A	MINICONTATTORÉ QUADRIPOLE 20 A 230 V
194	VM1056A	STAFFA TELERUTTORE PICCOLO VE1115A
195	0H7077A	PROFILO PROTEZIONE SCHEDA POTENZA H55
196	VE1150A	CONDENSATORE 10 µF 240 Vac 50/60
197	CE1580A	SPINA SCHUKO + CAVO 3G X 1,5 MMQ
185	0H6413A	SUPPORTO IMPIANTO IDRICO
186	VM1630A	TAPPO PREMI VETRO INTERNO
187	GN1200A	GUARNIZIONE D=24 RACCORDO 3/4 GOMMA
188	RC1365A	RACCORDO JG FEMMINA 3/4"-10
189	TB2237A	TUBO Ø10 ALLACCIAMENTO RETE
190	VL1034A	FILTRO ACQUA Ø10 MESH100
191	RC1360A	RACCORDO GOMITO JG 10-10
192	EL1349A	CLIP BLOCCA PINZETTA RACCORDI D10
193	VL1044B	FILTRO RETINATO CON AFFONDANTE
194	VL1041B	TAPPO DETERGENTE FORATO Ø11
195	TB2242B	TUBO PVC 9X6

196	VL1046A	PORTAGOMMA D6-CODOLO D6
197	RC1373A	RACCORDO GOMITO Ø6F-Ø6F
198	EL1348A	CLIP BLOCCA PINZETTA RACCORDI D6
199	VL1047A	PORTAGOMMA D6 CODOLO D8
200	EL1195B	RACCORDO GOMITO D8F-D8M
201	EL1020A	RACCORDO INTERMEDIO "T" TUBO Ø8
202	EL1115B	RACCORDO Y D8
203	EL1180A	RACCORDO NON RITORNO Ø8 Ø8 FEMMINA
204	VL1038A	POMPA VIBRAZIONE
205	EL1345A	CLIP BLOCCA PINZETTA RACCORDI Ø8
206	VL1014A	RIDUTTORE DI PRESSIONE CON DISTRIBUTORE
207	EL1185B	RACCORDO GOMITO D8F-D8F
208	TB2235A	ROCCETTO DETERGENTE TUBO Ø8
209	EL1411A	ELETTRIVALVOLA H2O CON CHECK VALVE

MOD:XVC105E



EN

Codes descriptions

1	VT1121B	XVC105 EXTERNAL GLASS 748X424X5
2	VT1120B	INTERNAL GLASS 665X414X6 BETFL XVC104
3	VM1916A	RIGHT UPPER COLUMN CAP
4	VM1917A	LEFT UPPER COLUMN CAP
5	VM1918A	RIGHT LOWER COLUMN CAP
6	VM1919A	LEFT LOWER COLUMN CAP
8	CE1280A	CABLE TO CONNECT POWER-CONTROL
9	CE1285A	EMI ROUND FERRITE MOD.2643801502
10	CE1290A	EXTRACTABLE FEMALE TERMINAL CPF 5/4
11	LP1000A	LED LIGHTING BAR L100
12	VM1620A	LED BAR LOWER SUPPORT
13	VM1621A	LED BAR UPPER SUPPORT
14	OH2620B	HANDLE TUBE EX-D=18 TH=1 L=668
15	MG1015B	L.MISS/L.MICRO/CHEFTOP HANDLE TERMINALS
16	PE1740A	CT BT CONTROL BOARD PE1705 + BOARD COVER
17	VM1025A	NYLON LID PA66 V2 GREY Ø16
40	TB2354A	XVC055E/105E INTERNAL CENTRAL WATER PIPE
41	OG1507A	XVC105E FAN GUARD
42	GN1036A	XVC105 DOOR GASKET - GN1110A
43	VN1030A	MOTOR FAN D196 H81 39 BLADE NUT M8
44	RS1225A	6 T. HEATING ELEMENT 1,7+1,7+1,3 KW 230V
45	GN1085A	HEATING ELEMENT GASKET 141x24 G6.25
46	RS1215A	147W 105V D230 1 TURN FLAT ELEMENT
47	GN1326A	ELEMENT SEALING 70X22X0.8
48	OH2551A	XBC/XVC ST.STEEL DRAIN COVER
49	TR1040A	MOLDED CORE PROBE L=1320
50	GRL1215A	3 GN2/3 ST. STEEL RIGHT LATERAL SUPPORT
51	VM1820A	LATERAL SUPPORTS M6 FIXING BOLTS
52	TR1105A	TEMPERATURE PROBE PT100 L1000
53	GN1285A	NTC TEMPERATURE PROBE SEALING
54	VM1465A	CHEFTOP TEMPERATURE PROBE COVER

55	VM1955B	WASHIG SYSTEM ROTOR
56	RC1170A	STAINLESS STEEL NUT M14 H=8 CH=22
57	OH3015A	EXTERNAL WATER PIPE+WELDED CONNECTION
58	EL1361A	J.G. THREE-STAGE SOLENOID VALVE D8-D10
59	GN1140A	MOLDED MOTOR SUPPORT GASKET
60	OH4305A	ST. STEEL MOTOR SHAFT SEALING DISC
61	VN1130A	330W 230V 50/60HZ MOTOR
62	OH3586A	ZINCATE MOTOR GUARD PLATE XBC-XVC
63	VE1135A	VENTURI ACTUATOR 220 V 50/60 Hz SERIES 2
64	RC1378A	HOSE CLAMP
65	TB1956A	TB1520A - EPDM BLACK PIPE L=50
66	EL1055A	INTERMEDIATE REDUCTION FROM D=10 TO D=8
67	GRL1216A	3 GN2/3 ST. STEEL LEFT LATERAL SUPPORT
100	OD2190A	XVC105E EXTERNAL COVER
101	OF1455A	XVC105E EXTERNAL BACK PANEL
102	OE1321A	XVC105E EXTERNAL BOTTOM PANEL
103	VN1163A	COOLING FAN 230V
104	VM1555A	CT BT COOLING DOWN FAN SUPPORT
105	VM1556A	XBC-XVC COOLING FAN GUARD
106	GN1400A	U-TRAP SEAL
107	VM2039A	DRAIN BEND FIXING RING
108	VL1026A	BEND FOR DRAIN PIPE
109	OH1019A	BRACKET FOR CHEFTOP H100 FEET
110	PD1066B	BI-COMPONENT FOOT H100
111	PD1063A	CT BT FOOT STOP BRACKET
112	VM1991A	CHEFTOP E SERIES DRIP TRAY
113	VM1225A	PLATE WITH HOLES FOR ELECTRONIC
114	PE1971B	UNOX.LINK MODBUS RJ45+USB
115	VM1200A	DOOR MECHANIC MICROSWITCH SUPPORT PLATE
116	VE1295A	DOOR MICROSWITCH MK 16A 230V UL
117	OH1450A	XB-XV-XG ST. STEEL MUFFLE FRONT CORNER

118	VM1008A	GASKET SUPPORT INTERNAL CORNER
119	OH3790A	CHIMNEY HOLDING PLATE
120	GN1275A	XBC/XVC BLACK CHIMNEY SEALING
121	VM2061A	ACCESSORIES CABLES WALL PASSING
122	VM2074A	C.T. DRIP TRAY FIXING CLIP WITH SCREW
182	OH7043A	XVC105E COMPONENTS HOLDER
183	VE1075A	WIRE CLAMP FV 268 RO + FIXING SCREWS
184	MR1004A	TERMINAL 7FTW GV VO VL CU 1+2+3/4+5+6
185	VM1310A	COVER FOR TERMINAL BOX XB/XV/XVC/XG
187	VM1750A	TERMINAL BOARD
188	CN1003A	CONDENSER6,3 UF
189	VE1026A	TRANSFORMER 230-21-12Vac 80VA
190	TR1136A	SAFETY THERMOSTAT UNIP. 330°C
191	PE1725E	E SERIES CHEFTOP-BAKERTOP POWER CARD
192	VM1745A	BOARD SUPPORT
193	VE1115A	MINI CONTACTOR WITH 4 POLES 20 A 230 V
194	VM1056A	SUPPORT MINI CONTACTOR VE1115A
195	OH7077A	POWER CARD PROTECTING PROFILE H55
196	VE1150A	CAPACITOR 10 µF 240 Vac 50/60
197	CE1580A	SCHUKO PLUG + 3G X 1,5 MMQ CABLE
185	OH6413A	WATER SYSTEM SUPPORT
186	VM1630A	INTERNAL GLASS PUSHING CAP
187	GN1200A	3/4 CONNECTION SEAL D=24 RUBBER+NET
188	RC1365A	3/4"-10 JG FEMALE CONNECTION
189	TB2237A	Ø10 WATER MAIN CONNECTION PIPE
190	VL1034A	Ø10 MESH100 WATER FILTER
191	RC1360A	10 - 10 JG ELBOW FITTING
192	EL1349A	CLIP TO FIX Ø10 mm CONNECTION JOINT
193	VL1044B	HOLD DOWN WEIGHT WITH NET FILTER
194	VL1041B	DETERGENT CAP WITH Ø11 HOLE
195	TB2242B	WASHING SYSTEM PIPE 9x6

196	VL1046A	D6 PIPE HOLDER - D6 J.G. TERMINAL
197	RC1373A	Ø6F-Ø6F ELBOW FITTING
198	EL1348A	CLIP TO FIX Ø06 mm CONNECTION JOINT
199	VL1047A	D6 PIPE HOLDER - D8 J.G. TERMINAL
200	EL1195B	D8F-DBM ELBOW CONNECTION
201	EL1020A	INTERMEDIATE "T" CONNECTION Ø8
202	EL1115B	Y D8 CONNECTION
203	EL1180A	Ø8 Ø8 FEMALE NON-RETURN CONNECTION
204	VL1038A	VIBRATION PUMP
205	EL1345A	CLIP TO FIX Ø08 mm CONNECTION JOINT
206	VL1014A	PRESSURE REDUCER WITH DISTRIBUTOR
207	EL1185B	D8F-D8F ELBOW FITTING
208	TB2235A	Ø8 DETERGENT PIPE COIL
209	EL1411A	SOLENOID VALVE WITH CHECK VALVE